



US008089635B2

(12) **United States Patent**
Gharib et al.

(10) **Patent No.:** **US 8,089,635 B2**

(45) **Date of Patent:** **Jan. 3, 2012**

(54) **METHOD AND SYSTEM FOR FAST THREE-DIMENSIONAL IMAGING USING DEFOCUSING AND FEATURE RECOGNITION**

(75) Inventors: **Morteza Gharib**, San Marino, CA (US);
Emilio Graff, Altadena, CA (US);
Francisco Pereira, Rome (IT)

(73) Assignee: **California Institute of Technology**

(*) Notice: Subject to any disclaimer, the term of this patent is extended or adjusted under 35 U.S.C. 154(b) by 0 days.

(21) Appl. No.: **12/313,508**

(22) Filed: **Nov. 19, 2008**

(65) **Prior Publication Data**

US 2011/0058740 A1 Mar. 10, 2011

Related U.S. Application Data

(60) Provisional application No. 61/003,698, filed on Nov. 19, 2007.

(51) **Int. Cl.**
G01B 11/24 (2006.01)
G06K 9/34 (2006.01)

(52) **U.S. Cl.** **356/601**; 382/173

(58) **Field of Classification Search** 356/600-601, 356/614, 620, 622, 625; 382/255, 274, 275, 382/278, 284, 285, 203, 153, 173; 348/46, 348/335, 208.14

See application file for complete search history.

(56) **References Cited**

U.S. PATENT DOCUMENTS

4,264,921 A * 4/1981 Pennington et al. 358/511
5,168,327 A * 12/1992 Yamawaki 356/609

5,373,151 A * 12/1994 Eckel et al. 250/208.1
5,579,444 A * 11/1996 Dalziel et al. 700/259
5,864,359 A * 1/1999 Kazakevich 348/45
6,229,913 B1 * 5/2001 Nayar et al. 382/154
6,955,656 B2 10/2005 Bergheim et al.
7,006,132 B2 2/2006 Pereira et al.
7,171,054 B2 * 1/2007 Fiete et al. 382/255
7,236,622 B2 * 6/2007 Chen et al. 382/132
7,340,077 B2 * 3/2008 Gokturk et al. 382/103
7,565,029 B2 * 7/2009 Zhou et al. 382/284
7,668,388 B2 * 2/2010 Bryll 382/255
2007/0008312 A1 1/2007 Zhou et al.
2007/0103460 A1 5/2007 Zhang et al.

FOREIGN PATENT DOCUMENTS

WO WO2007056768 5/2007

OTHER PUBLICATIONS

Lowe, David G, "Three-Dimensional Object Recognition from Single Two-Dimensional Images," Artificial Intelligence, 31, Mar. 3, 1987, pp. 355-395.

(Continued)

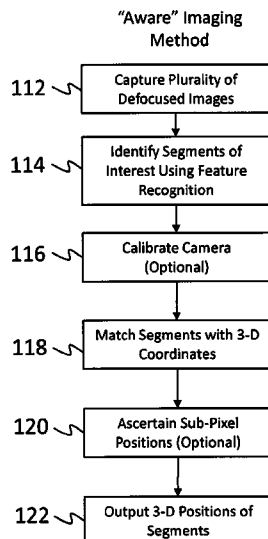
Primary Examiner — Sang Nguyen

(74) *Attorney, Agent, or Firm* — Dickstein Shapiro LLP

(57) **ABSTRACT**

Described is a method and system for fast three-dimensional imaging using defocusing and feature recognition is disclosed. The method comprises acts of capturing a plurality of defocused images of an object on a sensor, identifying segments of interest in each of the plurality of images using a feature recognition algorithm, and matching the segments with three-dimensional coordinates according to the positions of the images of the segments on the sensor to produce a three-dimensional position of each segment of interest. The disclosed imaging method is "aware" in that it uses a priori knowledge of a small number of object features to reduce computation time as compared with "dumb" methods known in the art which exhaustively calculate positions of a large number of marker points.

6 Claims, 5 Drawing Sheets



OTHER PUBLICATIONS

Wu, M.; Roberts, J. W.; and Buckley, M., "Three-dimensional fluorescent particle tracking at micron-scale using a single camera," Experiments in Fluids, 2005, 38, 461-465.

Willert, C.E.; and Gharib, M., "Three-dimensional particle imaging with a single camera," Experiments in Fluids, 1992, 12, 353-358.

* cited by examiner

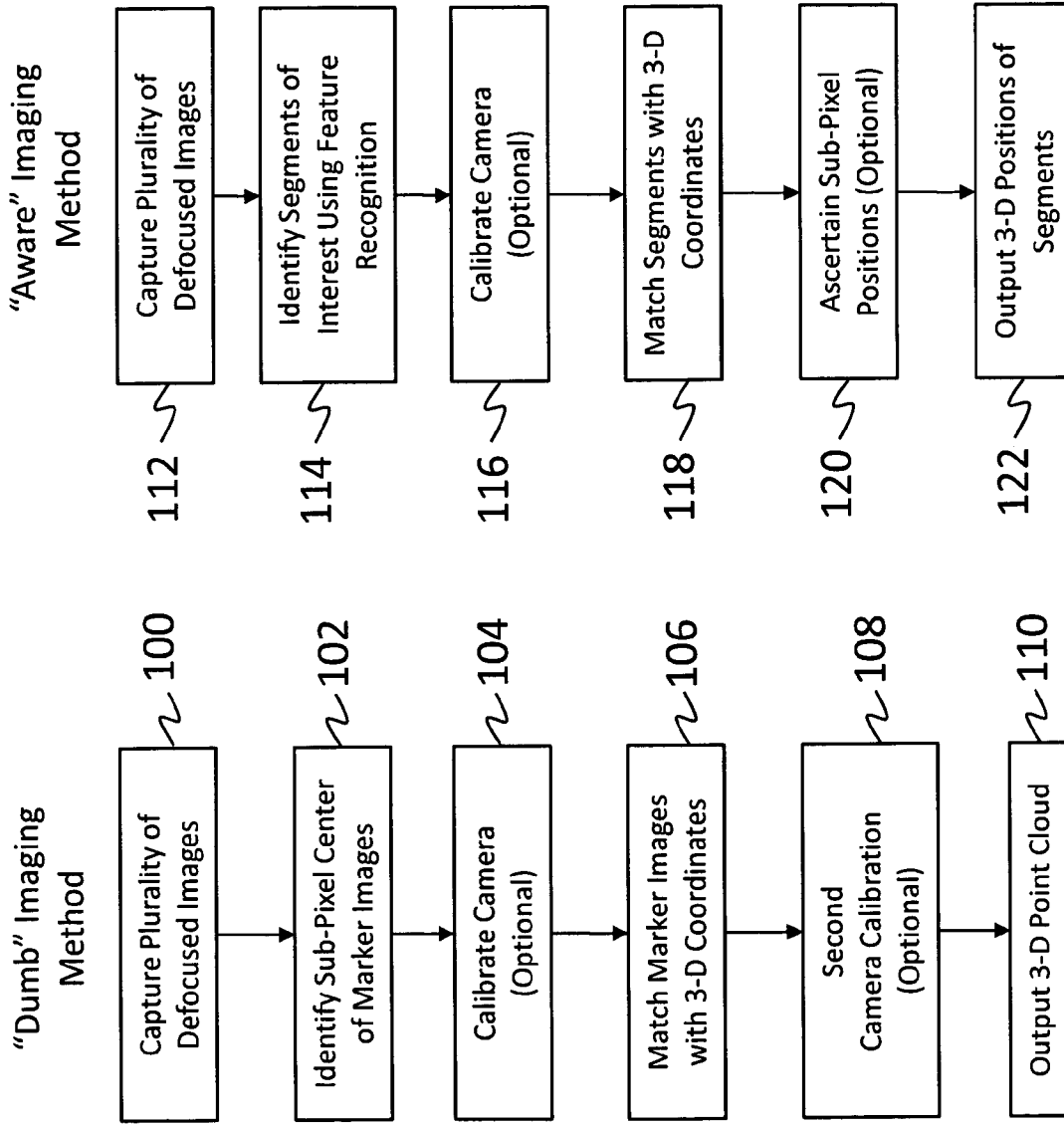


FIG. 1A

FIG. 1B

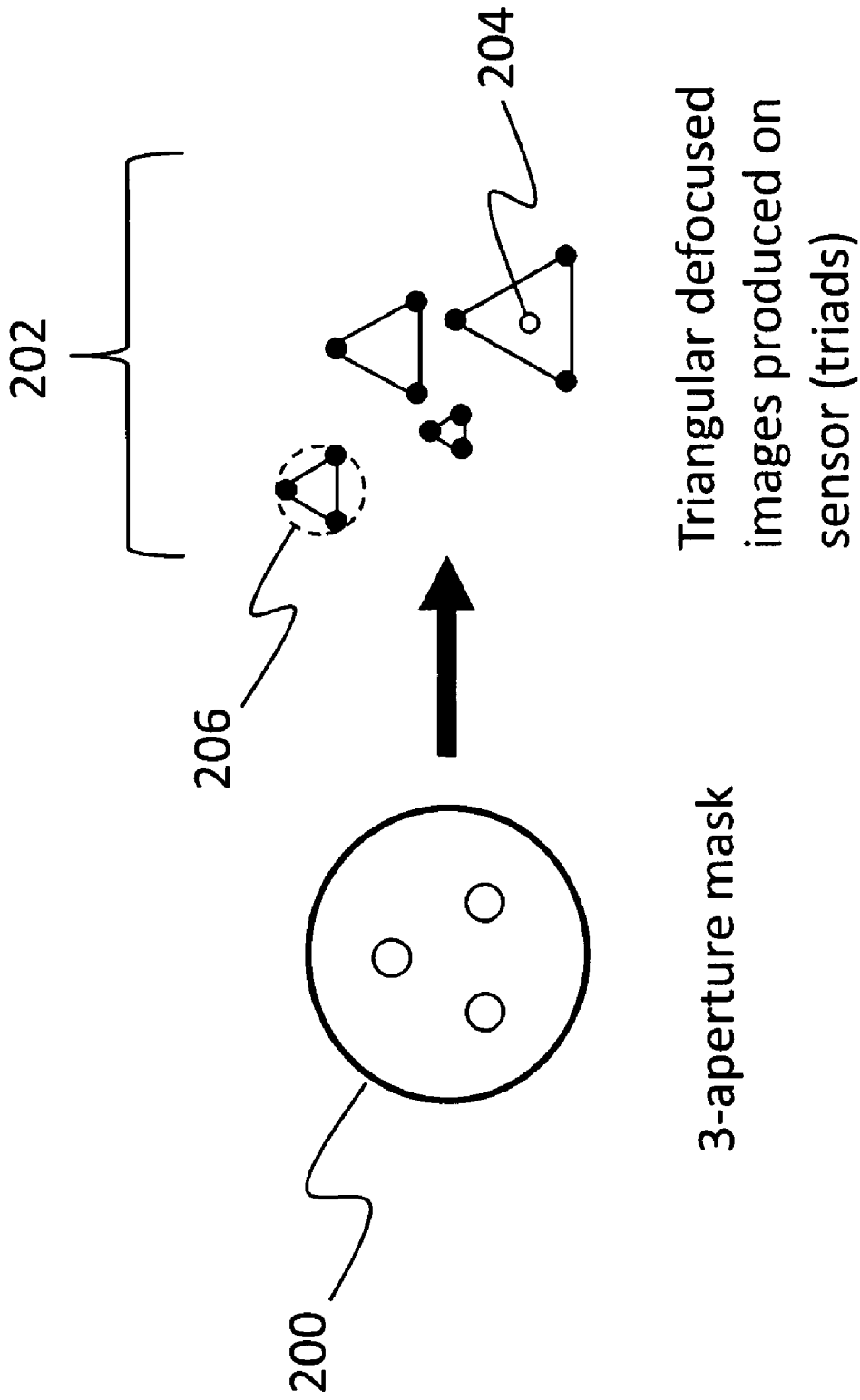
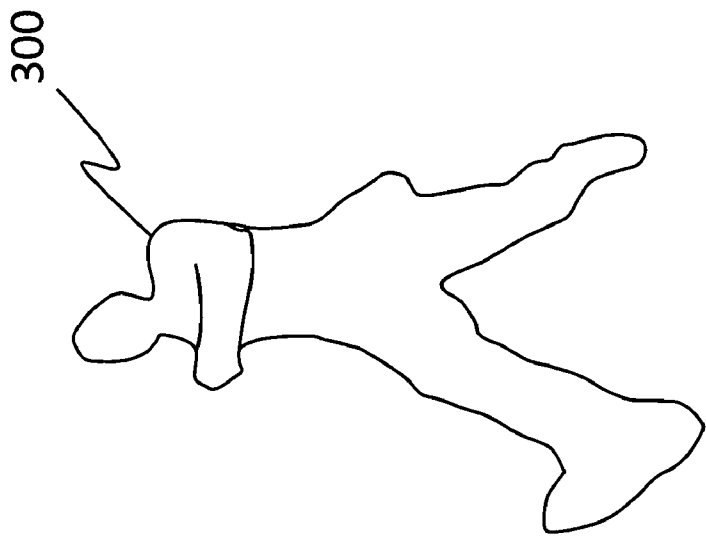
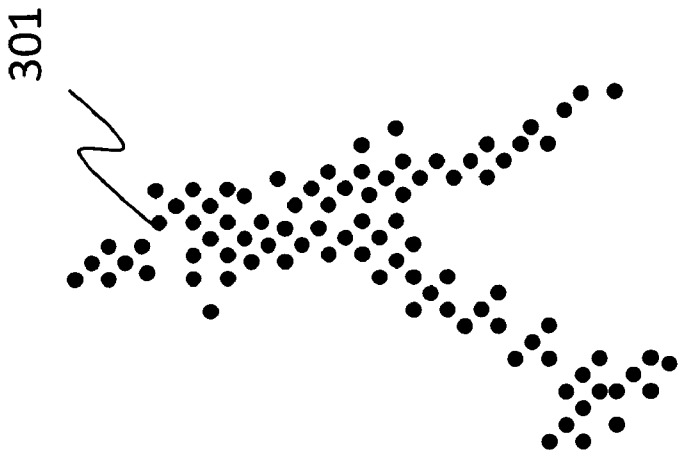


FIG. 2



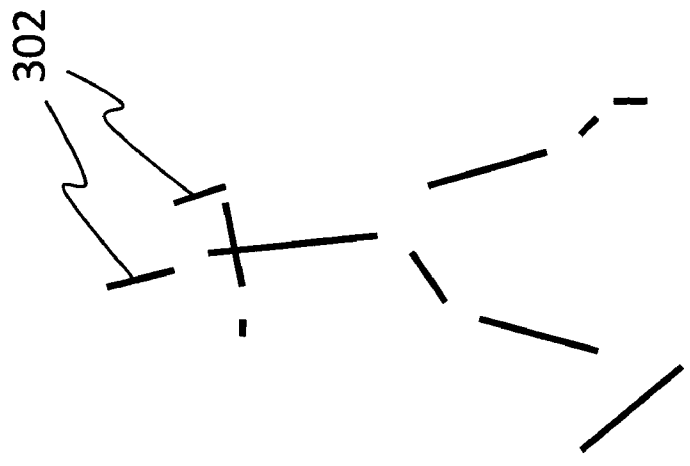
Outline of a person
in an input image

FIG. 3A



Output of "dumb"
imaging method

FIG. 3B



Output of "aware"
imaging method

FIG. 3C

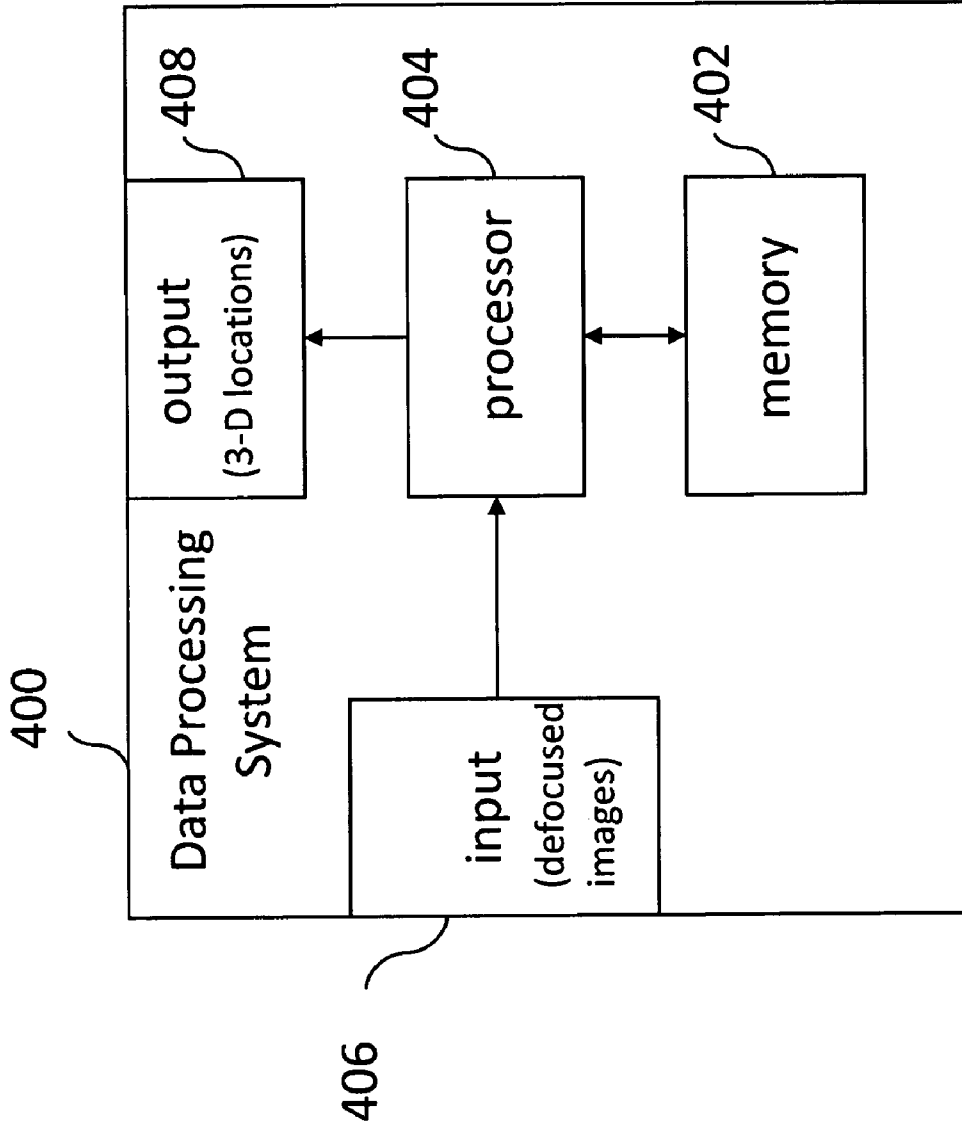


FIG. 4

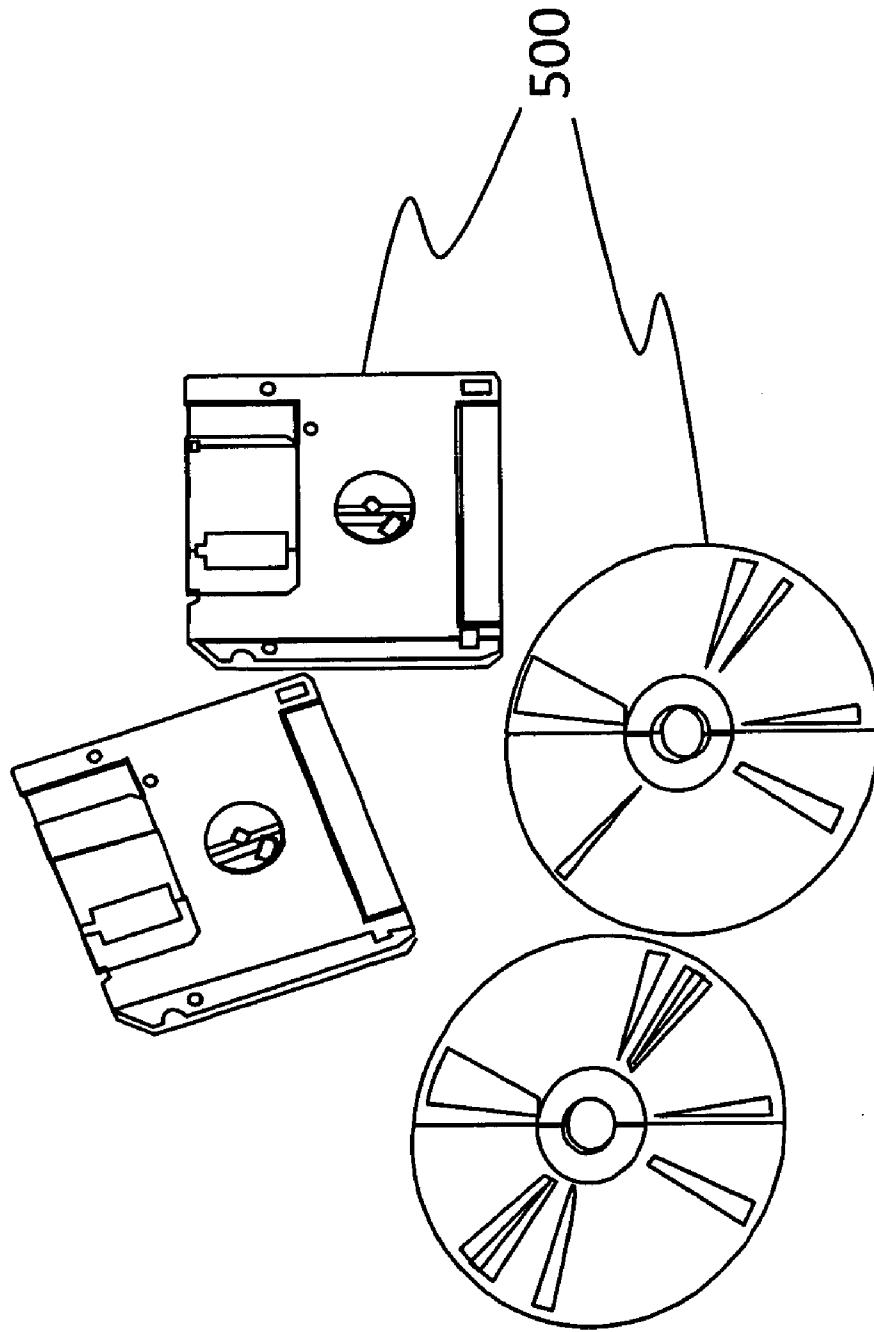


FIG. 5

**METHOD AND SYSTEM FOR FAST
THREE-DIMENSIONAL IMAGING USING
DEFOCUSING AND FEATURE
RECOGNITION**

PRIORITY CLAIM

The present application claims the benefit of U.S. Provisional Application No. 61/003,698, filed Nov. 19, 2007; the present application is also a continuation-in-part of prior application Ser. No. 12/011,023, filed Jan. 22, 2008, which claims the benefit of U.S. Provisional Application No. 60/881,776, filed Jan. 22, 2007, and 60/881,779, filed Jan. 22, 2007, and 60/881,762, filed Jan. 22, 2007; the present application is also a continuation-in-part of prior application Ser. No. 12/011,016, filed Jan. 22, 2008, which claims the benefit of U.S. Provisional Application No. 60/881,776, filed Jan. 22, 2007, and 60/881,779, filed Jan. 22, 2007, and 60/881,762, filed Jan. 22, 2007; the present application is also a continuation-in-part of prior application Ser. No. 12/150,237, filed Apr. 23, 2008, which claims the benefit of U.S. Provisional Application No. 60/925,918, filed Apr. 23, 2007, and 60/926,010, filed Apr. 23, 2007, and 60/926,023, filed Apr. 23, 2007; the present application is also a continuation-in-part of prior application Ser. No. 12/150,238, filed Apr. 23, 2008, which claims the benefit of U.S. Provisional Application No. 60/925,918, filed Apr. 23, 2007, and 60/926,010, filed Apr. 23, 2007; the present application is also a continuation-in-part of prior application Ser. No. 12/150,239, filed Apr. 23, 2008, which claims the benefit of U.S. Provisional Application No. 60/925,918, filed Apr. 23, 2007, and 60/926,010, filed Apr. 23, 2007, and 60/926,023, filed Apr. 23, 2007; the present application is also a continuation-in-part of prior application Ser. No. 12/150,236, filed Apr. 23, 2008, which claims the benefit of U.S. Provisional Application No. 60/925,918, filed Apr. 23, 2007, and 60/926,010, filed Apr. 23, 2007, and 60/926,023, filed Apr. 23, 2007.

BACKGROUND OF THE INVENTION

(1) Field of Invention

The present invention relates to three-dimensional imaging and, more particularly, to a method and system for fast three-dimensional imaging using defocusing and feature recognition.

(2) Description of Related Art

The present invention relates to three-dimensional imaging. The various methods for imaging objects in three-dimensions can be divided into scanning methods and instantaneous methods. Scanning systems are generally suitable for imaging immobile objects. Scanning methods include laser scanning, ultrasound (tomography), magnetic resonance imaging (tomography), and confocal scanning microscopy. Instantaneous systems can be used to capture moving objects and thus analyze motion, such as in defocusing DPIV (Digital Particle Imaging Velocimetry). Other instantaneous methods include ultrasound, three-dimensional photogrammetry, correlation surface mapping, and time-of-flight systems.

Currently existing instantaneous imaging methods using defocusing involve imaging an object with markers applied to or projected onto the surface of an object, or using natural features or texture in the object to analyze its shape and location in space. These methods are “dumb” in that they are generalized (i.e. they do not inherently understand the object being imaged). This generalization leads to a system whose

resolution is dependent on the number of points analyzed. As such, the processing time increases.

Thus, a continuing need exists for a method for fast three-dimensional imaging using defocusing which reduces processing time by incorporating a priori knowledge of the object being imaged.

SUMMARY OF INVENTION

The present invention relates to three-dimensional imaging and, more particularly, to a method and system for fast three-dimensional imaging using defocusing and feature recognition. A first aspect of the method comprises acts of capturing a plurality of defocused images of an object on a sensor, identifying segments of interest in each of the plurality of images using a feature recognition algorithm, and matching the segments with three-dimensional coordinates according to the positions of the images of the segments on the sensor. Thus, a three-dimensional position of each segment of interest is produced.

In another aspect, the images of the object are obtained by an instantaneous scanning method selected from the group consisting of defocusing, ultrasound, three-dimensional photogrammetry, correlation surface mapping, and time-of-flight methods.

Another aspect of the present invention is a data processing system comprising a sensor for capturing a plurality of defocused images of an object substantially simultaneously. The system also includes one or more processors configured to receive a plurality of defocused images of an object captured on the sensor, identify segments of interest in each of the plurality of images using a feature recognition algorithm, and match the segments with three-dimensional coordinates according to the positions of the images of the segments on the sensor.

In another aspect, the data processing system further comprises a camera having a lens obstructed by a mask with a plurality of off-axis apertures. The sensor is configured to capture a plurality of defocused images of an object by receiving a signal transmitted by the object through the plurality of off-axis apertures and through the lens.

In yet another aspect, the data processing system is further configured to ascertain sub-pixel positions of the segment positions on the sensor using a cross-correlation type algorithm.

As can be appreciated by one skilled in the art, an additional aspect of the present invention is computer program product. The computer program product comprises computer-readable instruction means stored on a computer-readable medium that are executable by a computer for causing the computer to receive a plurality of defocused images of an object on a sensor, identify segments of interest in each of the plurality of images using a feature recognition algorithm, and match the segments with three-dimensional coordinates according to the positions of the images of the segments on the sensor.

BRIEF DESCRIPTION OF THE DRAWINGS

The objects, features and advantages of the present invention will be apparent from the following detailed descriptions of the various aspects of the invention in conjunction with reference to the following drawings, where:

FIG. 1A is a flow diagram showing the acts of a “dumb” imaging method as currently exists in the art;

FIG. 1B is a flow diagram showing the acts of an “aware” imaging method of the present invention;

FIG. 2 is an illustration of a 3-aperture camera mask for use with the present invention, and groups of defocused images produced by such a mask;

FIG. 3A is an illustration showing an outline of a person from an input image;

FIG. 3B is an illustration showing a point cloud representing a person, as output by a “dumb” imaging method;

FIG. 3C is an illustration showing segments of interest corresponding to a person as output by the “aware” imaging method of the present invention;

FIG. 4 is a block diagram showing a generic data processing system for use with the present invention; and

FIG. 5 is an illustration showing a computer program product for use with the present invention.

DETAILED DESCRIPTION

The present invention relates to three-dimensional imaging and, more particularly, to a method and system for fast three-dimensional imaging using defocusing and feature recognition. The following description is presented to enable one of ordinary skill in the art to make and use the invention and to incorporate it in the context of particular applications. Various modifications, as well as a variety of uses in different applications will be readily apparent to those skilled in the art, and the general principles defined herein may be applied to a wide range of embodiments. Thus, the present invention is not intended to be limited to the embodiments presented, but is to be accorded the widest scope consistent with the principles and novel features disclosed herein.

In the following detailed description, numerous specific details are set forth in order to provide a more thorough understanding of the present invention. However, it will be apparent to one skilled in the art that the present invention may be practiced without necessarily being limited to these specific details. In other instances, well-known structures and devices are shown in block diagram form, rather than in detail, in order to avoid obscuring the present invention.

The reader's attention is directed to all papers and documents which are filed concurrently with this specification and which are open to public inspection with this specification, and the contents of all such papers and documents are incorporated herein by reference. All the features disclosed in this specification, (including any accompanying claims, abstract, and drawings) may be replaced by alternative features serving the same, equivalent or similar purpose, unless expressly stated otherwise. Thus, unless expressly stated otherwise, each feature disclosed is only one example of a generic series of equivalent or similar features.

Furthermore, any element in a claim that does not explicitly state “means for” performing a specified function, or “step for” performing a specific function, is not to be interpreted as a “means” or “step” clause as specified in 35 U.S.C. Section 112, Paragraph 6. In particular, the use of “step of” or “act of” in the claims herein is not intended to invoke the provisions of 35 U.S.C. 112, Paragraph 6.

Further, if used, the labels left, right, front, back, top, bottom, forward, reverse, clockwise and counter clockwise have been used for convenience purposes only and are not intended to imply any particular fixed direction. Instead, they are used to reflect relative locations and/or directions between various portions of an object.

(1) Description

The present invention relates to three-dimensional imaging and, more particularly, to a method and system for fast three-dimensional imaging using defocusing and feature recognition. The concept of defocusing is known in the art and was

first introduced by Willert, C. E. and Gharib, M. in *Three-dimensional particle imaging with a single camera*, Experiments in Fluids 12, 353-358 (1992), which is incorporated by reference as though fully set forth herein.

Currently existing instantaneous imaging methods using defocusing involve imaging an object with markers applied to or projected onto the surface of an object, or using natural features or texture in the object to analyze its shape and location in space. These methods are “dumb” in that they are generalized (i.e., they do not inherently understand the object being imaged). This generalization leads to a system whose resolution is dependent on the number of points analyzed.

FIG. 1A is a flow diagram illustrating a “dumb” method for three-dimensional imaging as currently exists in the art. The “dumb” method is initiated by capturing a plurality of defocused images **100** of an object. The object contains a set of either natural or projected marker points. The pixel or sub-pixel centers are then identified **102** for each marker point in the plurality of images. For example, FIG. 2 shows an example of a plurality of defocused marker images produced by an imager with a 3-aperture mask **200**, resulting in a triangular arrangement of defocused images **202**, or “triads,” corresponding to each feature or marker on the target object. Determining a sub-pixel center **204** of each triad will yield the x and y-coordinates of that marker point on the object. At this time, the camera may be optionally calibrated **104** (in FIG. 1A) to account for lens distortions, assembly precision, and experimental setup in preparation for matching the marker images with their z-coordinates (three-dimensional coordinates) **106**. The physical size of the triangle **206** (in FIG. 2) produced (in FIG. 2) by the triad will yield the z, or depth coordinate of the marker point. The depth coordinate can be generated through use of defocusing equations known in the art, a non-limiting example of which was published by Willert, C. E. and Gharib, M. in *Three-dimensional particle imaging with a single camera*, Experiments in Fluids 12, 353-358 (1992), which is incorporated by reference as though fully set forth herein. Referring again to FIG. 1A, after matching the marker images with three-dimensional coordinates **106**, a second optional camera calibration may be performed **108**. The end result of the “dumb” method is the output of a three-dimensional point cloud **110** representing the three-dimensional shape of the object. For illustration purposes only, an outline of a person **300** from an input image is illustrated in FIG. 3A. An illustration of a point cloud **301** produced by a “dumb” method is illustrated in FIG. 3B.

The present invention is a method which uses a priori knowledge about the object being imaged prior to performing the three-dimensional measurement. Such an “aware” system has application to situations where the object to be imaged is well known and the basic parameters of the three-dimensional position, orientation, and movement of the object is required quickly. FIG. 1B is a flow diagram showing the acts of the “aware” imaging method of the present invention. The first act is capturing a plurality of defocused images of an object on a sensor **112**. The images captured are not limited to visual images, as the defocusing techniques of the present invention are also applicable to acoustics. A non-limiting example of how the defocusing can be achieved is by a camera having a lens obscured by a mask with a plurality of off-axis apertures. For example, FIG. 2 shows a defocusing mask containing three off-axis apertures **200** arranged in a triangular shape. But, it should be understood that the present invention can utilize any of a wide variety of defocusing masks and camera assemblies, including but not limited to those described in U.S. patent application Ser. No. 12/011,023, filed Jan. 22, 2008, entitled “METHOD AND APPARATUS FOR QUAN-

TITATIVE 3-D IMAGING;" U.S. patent application Ser. No. 12/011,016, filed Jan. 22, 2008, entitled "METHOD AND APPARATUS FOR QUANTITATIVE 3-D IMAGING;" U.S. patent application Ser. No. 12/150,237, filed on Apr. 23, 2008, entitled "SINGLE-LENS, SINGLE-APERTURE, SINGLE-SENSOR 3-D IMAGING DEVICE;" U.S. patent application Ser. No. 12/150,238, filed on Apr. 23, 2008, entitled "SINGLE LENS 3-D IMAGING DEVICE USING A POLARIZATION-CODED APERTURE MASK COMBINED WITH A POLARIZATION-SENSITIVE SENSOR;" U.S. patent application Ser. No. 12/150,239, filed on Apr. 23, 2008, entitled "APERTURE SYSTEM WITH SPATIALLY-BIASED APERTURE SHAPES AND POSITIONS (SBPSP) FOR STATIC AND DYNAMIC 3-D DEFOCUSING-BASED IMAGING;" and U.S. patent application Ser. No. 12/150,236, filed on Apr. 23, 2008, entitled "SINGLE-LENS, SINGLE-SENSOR 3-D IMAGING DEVICE WITH A CENTRAL APERTURE FOR OBTAINING CAMERA POSITION;" all of which are incorporated by reference as though fully set forth herein. In such camera assemblies, the sensor is configured to capture the plurality of defocused images of the object by receiving a signal transmitted from the object through the plurality of off-axis apertures and through the lens of the camera. The term "signal" is meant to encompass both electromagnetic radiation and sound waves. The term "transmitted from an object" is meant to encompass both reflection and emission of the signal from the object. Non-limiting examples of transmission by emission include, but are not limited to, radiation from a light bulb or from an object undergoing radioactive decay. Non-limiting examples of transmission by reflection include, but are not limited to, reflection of light off of an object from a light bulb or from a laser. The result of the defocusing is to produce a plurality of defocused images **202** on the sensor.

Referring again to FIG. 1B, the next act is to identify segments of interest in the plurality of defocused images using a feature recognition algorithm **114**. Such an "aware" imaging method searches for a small number of a priori known features in the images. The segments of interest searched for will depend on the type of object being viewed. FIG. 3C shows examples of segments of interest **302** used in human feature recognition. The present invention can use any feature recognition algorithm known in the art to find the segments of interest.

In a next act, as with the "dumb" imaging method, the camera can be optionally calibrated **116** (in FIG. 1B) to account for lens distortions, assembly precision, and experimental setup. The feature segments are then matched with their three-dimensional coordinates **118** based on the position of the images of the segments of interest on the sensor. As with the "dumb" method and as illustrated in FIG. 2, if a 3-aperture mask **200** is used, the defocused images that are produced will form triads **202**. The position of the center of the triad **204** on the sensor gives the x and y locations of the segment in the image. As noted before, the physical size of the triad **206** gives the z coordinate through the use of defocusing equations first described by Willett, C. E. and Gharib, M. in *Three-dimensional particle imaging with a single camera*, Experiments in Fluids 12, 353-358 (1992). The physical size of the triad can be represented as any of a variety of measurements including but not limited to the area of the triad, the circumference of the triad, the distance from a center point to any vertex of the triad, or the circumference of a circle encompassing and tangent with the vertices of the triad. Prior to outputting the three-dimensional positions of the segments of interest **122** (in FIG. 1B), if desired, greater precision can be obtained by ascertaining sub-pixel positions **120** of the seg-

ments of interest using a cross-correlation type algorithm. The end result of the "aware" imaging method, as shown in FIG. 3C, is an image containing three-dimensional locations of the segments of interest **302**.

FIG. 4 is a block diagram showing a generic data processing system for use with the present invention. The data processing system **400** comprises a memory **402** and a processor **404** (or a plurality of processors). The processor(s) **404** is configured to receive a defocused image input **406** and output three-dimensional locations of the segments of interest **408**. The system is further configured to perform the acts of the method of the present invention, including: capturing a plurality of defocused images of an object on a sensor, identifying segments of interest in each of the plurality of images using a feature recognition algorithm, and matching the segments with three-dimensional coordinates according to the positions of the images of the segments on the sensor to produce a three-dimensional position of each segment of interest.

Finally and as illustrated in FIG. 5, the present invention also comprises a computer program product **500**. The computer program product **500** comprises computer readable instruction means encoded thereon for causing the data processing system to perform the operations described herein. The term "instruction means" as used with respect to this invention generally indicates a set of operations to be performed on a computer (or computers), and may represent pieces of a whole program or individual, separable, software modules. Non-limiting examples of "instruction means" include computer program code (source or object code) and "hard-coded" electronics (i.e. computer operations coded into a computer chip). The "instruction means" may be stored in the memory of a computer or on a computer-readable medium such as a floppy disk, a CD-ROM, and a flash drive. The computer program product **500** shown in FIG. 5 is an optical disk such as a CD or DVD. However, the computer program product **500** generally represents computer-readable instructions stored on any compatible computer-readable medium.

What is claimed is:

1. A method for fast three-dimensional imaging using defocusing and feature recognition in a fast three-dimensional imaging data processing system having a sensor and a processor, comprising:

capturing a plurality of defocused images of an object on the sensor by receiving signals transmitted from the object through a plurality of off-axis apertures of a mask and through a lens, where the data processing system understands the type of object being imaged;

using the data processing system to identify a priori known segments of interest in each of the plurality of defocused images with a feature recognition algorithm; and

using the data processing system to match the identified a priori known segments of interest with three-dimensional coordinates according to the positions of the images of the segments on the sensor to produce an output image containing the three-dimensional position of each segment of interest.

2. The method of claim **1**, further comprising ascertaining sub-pixel positions of the a priori known segments of interest using a cross-correlation type algorithm.

3. A data processing system for fast three-dimensional imaging using defocusing and feature recognition, comprising:

a mask having a plurality of off-axis apertures;
a lens;

7

a sensor configured to capture a plurality of defocused images of an object substantially simultaneously, by receipt of signals transmitted from the object through the plurality of off-axis apertures and through the lens, wherein the data processing system understands the type of object being imaged; and

one or more processors configured to identify a priori known segments of interest in each of the plurality of defocused images with a feature recognition algorithm, and configured to match the identified a priori known segments of interest with three-dimensional coordinates, according to the positions of the images of the segments of interest on the sensor, to produce an output image containing the three-dimensional position of each segment of interest.

4. The data processing system of claim 3, wherein the one or more processors are further configured to ascertain sub-pixel positions of the a priori known segments of interest on the sensor using a cross-correlation type algorithm.

5. A computer program product for fast three-dimensional imaging using defocusing and feature recognition in a data processing system configured to capture a plurality of defo-

8

cused images of an object on a sensor through receipt of signals transmitted from the object through a plurality of off-axis apertures of a mask and through a lens, the computer program product comprising computer-readable instructions stored on a computer-readable medium that are executable by the data processing having a processor, where the instructions cause the processor to perform operations of:

identifying a priori known segments of interest in each of the plurality of defocused images of the object with a feature recognition algorithm, wherein the processor understands the type of object present in the plurality of defocused images; and

matching the identified a priori known segments of interest with three-dimensional coordinates according to the positions of the images of the segments on the sensor to produce an output image containing the three-dimensional position of each segment of interest.

6. The computer program product of claim 5, wherein the instructions further cause the processor to ascertain sub-pixel positions of the a priori known segments of interest using a cross-correlation type algorithm.

* * * * *